

**OWNER'S**

**MANUAL**

**MODEL NO.  
1235312US**

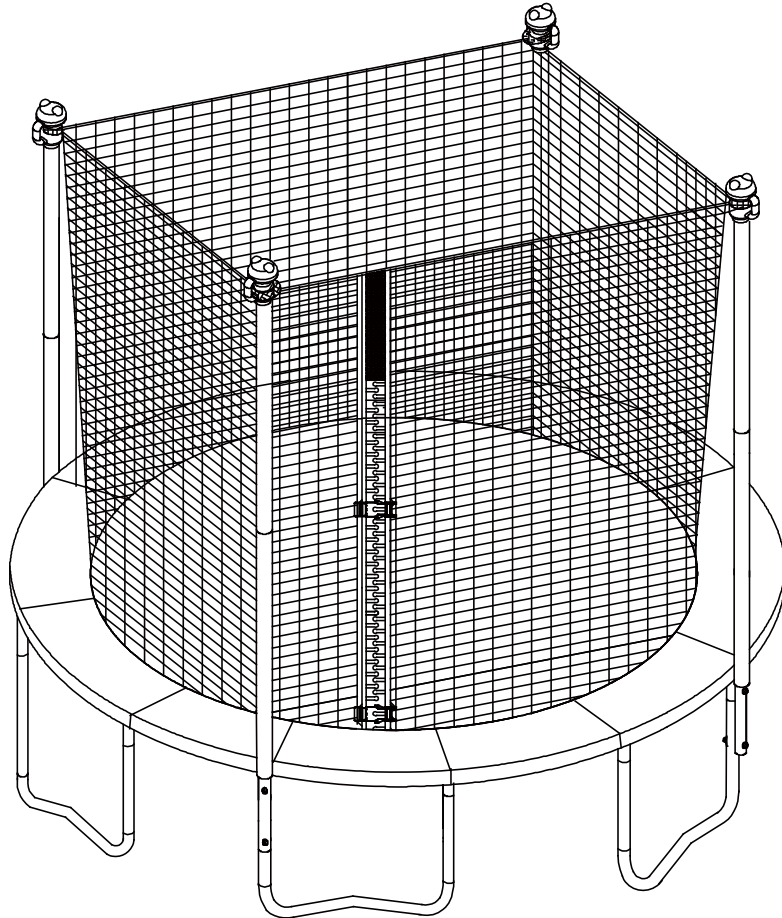
- **Assembly**
- **Adjustments**
- **Parts**
- **Warranty**

**CAUTION**

*You must read and understand this owner's manual before operating unit.*

**TRAINOR  
SPORTS**

**12 FOOT ROUND TRAMPOLINE  
AND ENCLOSURE**



**! WARNING**

- **CAREFULLY READ ALL INSTRUCTIONS IN THIS MANUAL BEFORE ASSEMBLING AND USING THIS TRAMPOLINE. FAILURE TO DO SO CAN RESULT IN SERIOUS INJURY OR DEATH.**
- **MAXIMUM WEIGHT OF THE USER SHALL NOT EXCEED 220LBS/100KG**
- **DO NOT ALLOW CHILDREN TO USE UNLESS SUPERVISED BY AN ADULT**
- **PROPERLY STORE PRODUCT AWAY DURING HEAVY WINDS**
- **SAVE THIS MANUAL FOR FUTURE REFERENCE**

**NOTICE**

**SOME FOAM TUBE DEFORMATION MAY TAKE PLACE DURING TRANSPORT. THIS IS NORMAL AND SHOULD RECOVER OVER TIME.**

# TABLE OF CONTENTS

Table of Contents.....	1
Introduction and Important Safety Instructions and Warnings.....	2-6
Part List for Trampoline.....	7
Part List for Enclosure.....	8
Assembly and Installation Instructions:	
Trampoline Frame Assembly.....	10-13
Trampoline Mat Assembly .....	14-19
Frame Pad Assembly.....	20-21
Disassembly of Trampoline.....	21
Trampoline Enclosure Assembly.....	22-27
Disassembly of Enclosure.....	27
Care and Maintenance Instructions .....	28-29
Proper Use Instructions.....	30
Tips to Reduce the Risk of Accidents.....	31-33
Limited Warranty.....	34
Liability .....	34

## INTRODUCTION

---

Thank you for purchasing a Trainor Sports product! This trampoline was designed and manufactured with quality materials and craftsmanship, providing fun and exercise in the enjoyment of your own backyard.

It is very important that the owners and users of this trampoline have adequate knowledge of techniques and rules for safe use. In particular, children must be supervised at all times by a knowledgeable and mature adult while using the trampoline. Take precautions to prevent access to the trampoline by children when there is no adult supervision. Also restrict access to any unauthorized users without your consent.

To reduce risks associated with users falling off the trampoline, the trampoline enclosure netting must be properly installed and used at all times. The trampoline enclosure must be closed during use to prevent the user from falling off the trampoline. The enclosure net is subject to wear from environmental factors, including UV rays, acid rain, pollution, wildlife and damage from contact with people, animals, or other objects. It is imperative and necessary to carefully inspect the net prior to any use. Such inspection should include a careful examination to look for any discoloration, frays, tears, cuts, holes, punctures, stitches that look worn and for proper attachment to the trampoline. If any of these conditions are evident, the trampoline must not be used and the netting material must be replaced immediately. Any of the factors listed above could cause the net to fail and therefore it must always be carefully inspected before every use.

Please also ensure proper placement of this product to avoid injuries. The best surface to place your product is over flat dirt or grass, with no obstructions beneath or around the product. The product must not be used in windy conditions as wind can cause unexpected movement of the product. The product must be properly stored away or disassembled completely during severe windy conditions. If you live in an area where there are winds strong enough to move the product, you should consult a local contractor about ways to secure the product in your location.

For additional information concerning the trampoline equipment contact Dyaco Canada Inc. at 1-888-707-1880 or write to the following address: 6050 Don Murie, Niagara Falls, Ontario L2G 0B3 or email us at: [customerservice@dyaco.ca](mailto:customerservice@dyaco.ca)

Read all instructions in this manual carefully before assembling or using this product. Keep this manual in a safe place for future reference.

**DO NOT RETURN PRODUCT TO THE STORE. PLEASE CONTACT OUR CUSTOMER SERVICE FOR PARTS OR ASSEMBLY INSTRUCTIONS. STORES ARE NOT EQUIPPED TO PROVIDE CUSTOMER SERVICE FOR THIS PRODUCT.**

# IMPORTANT SAFETY INSTRUCTIONS

---



**Read these materials prior to assembling and using this trampoline. Failure to do so can result in serious injury or death.**

**BEFORE YOU BEGIN:** Review all steps before beginning assembly and read all precautions before using the trampoline. The owner and supervisors of the trampoline are responsible to make all users aware of practices specified in these instructions. Save this manual for future reference.


## **⚠ WARNING**


To reduce the risk of injury to persons:

- Read and understand all the instructions and inspect the equipment before using the trampoline. It is your responsibility to familiarize yourself with the proper use of this equipment and the inherent risks of jumping on a trampoline, such as falling on your head or neck, pinching, entrapment, or equipment failure. It is the responsibility of the owner to ensure that all users of the product are fully informed about the proper use of the equipment and all safety precautions.
- Use trampoline only with mature, knowledgeable supervision. Close supervision is necessary when the trampoline is used by children, or by or near invalids or disabled persons.
- Trampolines over 20 inches (51cm) tall are not recommended for use by children under six years of age.
- **DO NOT** use if you are over 220lbs (100kg).
- **DO NOT** allow more than one person to jump on the trampoline at any one time. Multiple jumpers increase the risk of serious injury, such as broken head, neck, back or other bones.
- **DO NOT** perform somersaults or flips. This will significantly increase your chances of landing on your head or neck and can cause serious injuries, such as paralysis or death!
- **DO NOT** jump on trampoline with snow board, skateboard, roller blades, bicycle or any other equipment not authorized by the trampoline maker.
- **DO NOT** jump off walls or building onto the trampoline. Do not use the trampoline as a springboard to jump onto other objects.
- This product is intended for outdoor non-commercial use only. **DO NOT** use indoors. **DO NOT** use in any commercial, rental, professional or stunt performance setting.
- **DO NOT** play or jump on the product during inclement weather (thunderstorms, tornadoes, hurricanes, or when it is wet or windy). High winds can lift the equipment and cause serious injury. Move the trampoline into a safe and dry storage location during severe weather conditions. If you live in an area where there are winds strong enough to move the product, you should consult a local contractor about ways to secure the product in your location.
- **DO NOT** jump on the trampoline mat with street shoes or tennis shoes. Users of the trampoline should not wear sharp or pointed objects and should not bring any sharp or pointed objects into the trampoline or the area around the trampoline. Any type of sharp or pointed objects should be removed from persons and kept off the trampoline at all times. Remove all buckles, jewelry, and other sharp or pointed objects.
- **DO NOT** allow any pets onto the mat in order to prevent the trampoline mat from being damaged.
- **DO NOT** allow any pets or children to go under the jump mat.
- **DO NOT** use unauthorized Trainor Sports parts. This may damage the integrity of the product and will void the manufacturer's warranty.

- **ALWAYS** ensure adequate overhead clearance. Recommended overhead clearance is 26.25ft (8 meters) from ground level. Provide clearance for wires, tree limbs and other possible hazards.
- **ALWAYS** place the trampoline on a level surface before assembly and use. This trampoline is for **OUTDOOR USE ONLY**. The best surface to place your product is over flat dirt or grass, with no obstructions beneath, above or around the product.
- **ALWAYS** maintain clear space on all sides of the trampoline. Place the trampoline away from walls, structures, fences and other play equipment. Clear any obstructions beneath or around the trampoline, for example tree limbs or trunks, wires or other possible hazards.
- **ALWAYS** inspect the trampoline before each use for worn-out mats or enclosures and loose or missing parts. Make sure the frame padding is correctly and securely positioned. Replace defective components immediately and/or keep the equipment out of use until repair.
- **ALWAYS** protect enclosure net from extreme temperatures. Extreme temperatures may damage the net and cause it to tear and cause injury.
- **ALWAYS** make sure that the trampoline enclosure netting is installed and used properly at all times. The trampoline enclosure should be closed during use to prevent the user from falling off of the trampoline.
- **ALWAYS** climb on and off the trampoline while mounting or dismounting. **DO NOT** jump on or off the trampoline as this can cause serious injuries.
- **ALWAYS** consult your physician before performing any kind of physical activity.
- **ALWAYS** use the trampoline in a well-lit area. Artificial illumination may be required.
- **ALWAYS** properly store away the trampoline and enclosure when not in use and secure from any unauthorized use. Trampoline should be taken down and stored away during harsh weather conditions including extreme heat and snow or freezing temperature. Extreme temperature may cause damages and tears to the mat and netting and cause injury.
- **ALWAYS** use the trampoline wearing comfortable clothes and socks or barefoot.
- **NEVER** use the trampoline while under the influence of alcohol or drugs.

**⚠ WARNING** **ALWAYS START YOUR JUMP AT THE CENTER OF TRAMPOLINE MAT. FAILURE TO FOLLOW INSTRUCTIONS AND WARNINGS COULD RESULT IN SERIOUS INJURY OR DEATH.**

<p><b>⚠ WARNING</b></p>	
<p>No more than ONE person at a time on the trampoline! Multiple jumpers INCREASE the risk of injury, such as broken head, neck, leg or back.</p>	

<p><b>⚠ WARNING</b></p>	
<p>PARALYSIS OR DEATH can result if you land on your head or neck! Do NOT perform somersaults (flips) as this will INCREASE your chances of landing on your head or neck!</p>	



# IMPORTANT WARNING ABOUT ENCLOSURE NETTING AND PAD

## TRAMPOLINE NET & PAD – MAINTENANCE REQUIREMENTS

**READ IT! Failure to follow these instructions to ensure proper operational condition of your trampoline may lead to serious injury or death. Do not allow more than one person on the trampoline at a time.**

### 1. Maintenance of Trampoline Enclosure Net and Pad

Enclosure net and pad are prone to wear and tear like tires on a car. Gradual deterioration of the material will occur, the speed of which will depend on the level of exposure to UV rays, airborne pollution, and outdoor weather conditions such as rain and wind.

The net and pad need to be properly maintained and checked by following the Maintenance Schedule set out in these instructions. When the material shows any signs of weakness, you must stop using the trampoline immediately, properly store the trampoline and restrict access by users until a new replacement net or pad is properly installed.

Walk around the whole perimeter of the trampoline to visually check for material deterioration, tears, looseness, loss of elasticity or other damage in the pad.

Official replacement nets and pads can be purchased by contacting our authorized customer service by toll free number 1-888-707-1880.

### 2. Maintenance Requirement for Enclosure Net

Your trampoline enclosure netting is manufactured with UV resistant material. Despite this the netting is exposed to the outdoor elements including sunlight, wind, rain and wildlife.

The net surrounding the trampoline must be checked prior to each use. This includes, but is not limited to inspecting the net for cracks, excess wear, brittleness, stretching, all connections and for overall integrity. The net must be immediately replaced if it shows any signs of wear, damage, being stretched, cracked, loose, brittle or otherwise loses any integrity. The following Maintenance Schedule must be followed:

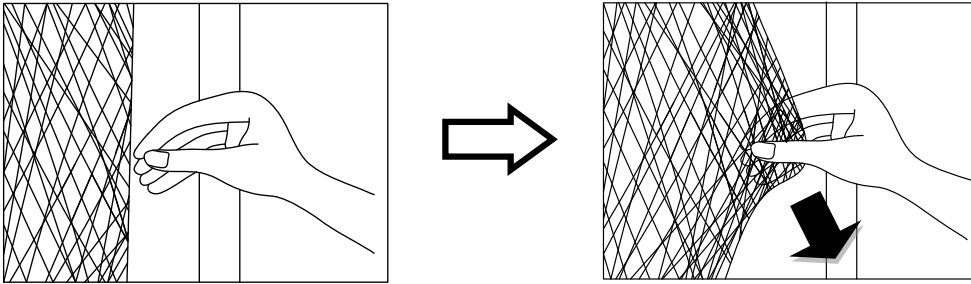
1 to 3 Months	3 to 6 Months	6 to 12 Months
Thorough inspection for UV damage and prior to every use for net.	Thorough inspection for UV damage and prior to every use for net, net hanger and straps.	Thorough inspection before every use on net, net hanger, straps, zippers, ties and strings. Replace after 12 months or earlier

**IT IS RECOMMENDED THAT THE NET BE REPLACED ON A YEARLY BASIS OR EARLIER UNDER NORMAL USE, EVEN IF IT DOES NOT SHOW ANY VISIBLE SIGNS OF DAMAGE.**

### How to Inspect the Trampoline Net for Safe Use

Always check the enclosure netting for signs of UV damage, deterioration, brittleness, cracking, and tearing every time before using the trampoline and enclosure.

**Step 1** - Inspect the enclosure netting before EACH use for wear or tear by pinching and pulling a section of the netting between fingers and pulling downward. Please see diagram below.



If it produces any tear or cracking or ripping sound, then the net is unsafe and **MUST** be taken down immediately. **STOP USING THE TRAMPOLINE ENCLOSURE IF YOU FIND ANY SIGNS OF WEAR OR TEARING ON THE NETTING.**

**Step 2** - Walk around the whole perimeter of the trampoline to visually check for material deterioration or other damage.

### 3. SAFETY TIPS FOR TRAMPOLINE NET

- Do not attempt to jump over or crawl under the netting.
- Do not intentionally bounce off the netting.
- Do not hang from, kick, cut or climb on the netting.
- Wear clothing free of drawstrings, hooks, loops or anything that could get caught in the netting.
- Do not attach anything to the netting that is not a manufacturer-approved accessory or part of the enclosure system.
- Enter and exit the enclosure only at the enclosure door or netting opening designated for that purpose.
- A trampoline enclosure installed on a trampoline is raised off the ground. The height of the enclosure increases the risk of a fall when a jumper is entering or exiting the enclosure. Young children in particular may have difficulty getting into and out of the enclosure. To reduce the risk of falling, help young children to get into and out of the enclosure.
- Enter and exit the trampoline enclosure only through the opening of the enclosure (the opening in the netting walls). The trampoline mat and netting walls of the enclosure are separate pieces; jumpers, particularly young children, must not exit the enclosure by going out between the mat and the netting walls. Trying to exit in this way poses a risk of strangulation from being caught between the trampoline frame and the netting walls.
- Do not attach anything to the netting that is not a Trainor Sports approved accessory or part of the trampoline enclosure.

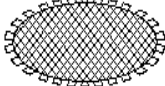
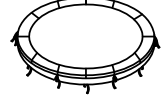

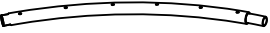

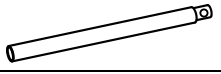
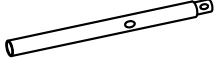
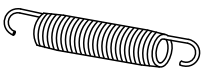
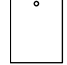



### 4. Maintenance Requirement for Trampoline Pad

Walk around the whole perimeter of the trampoline to visually check for material deterioration, tears, looseness, loss of elasticity or other damage in the pad.

**It is recommended to replace the trampoline enclosure net and pad every 12 months or earlier if there are any signs of wear, tear, brittleness, cracking, stretching or any other signs of weakness. New enclosure netting and pad can be purchased through our authorized service center (toll-free number 1-888-707-1880).**

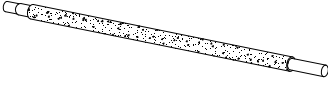
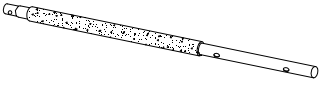


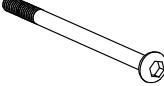



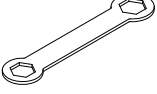


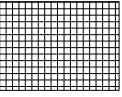


**FAILURE TO FOLLOW INSTRUCTIONS AND WARNINGS COULD RESULT IN  
SERIOUS INJURY OR DEATH.**

## PART LIST FOR TRAMPOLINE

Key Number	Diagram	Description	Quantity
HJ531201		Trampoline Mat, stitched with Triangle-Rings	1
HJ531202		Frame Pad	1
HJ531203		Top Rail with Leg Sockets	6
HJ531204		Top Rail	6
HJ531205		Leg Base	6
HJ531206A		Vertical leg Extension (one hole)	8
HJ531206B		Vertical leg Extension (two hole)	4
HJ531207		Galvanized Springs (28N 51/2" Long )	72
HJ531208		Trampoline Safety Instruction Placard	1
HJ531209		Spring Loading Tool	1
HJ531210		Small Spring Lock Washer	8
HJ531211		Self-Locking Screw	8



## PART LIST FOR ENCLOSURE

Part Number	Diagram	Description	Q'TY
A		Upper Frame Tube with Foam	4
B		Lower Frame Tube with Foam	4
C		Tube Cap	4
D		Gap Spacer	8
E		Screw	8
F		Cap Nut	8
G		Large Spring Lock Washer	8
H		Arc Washer	8
J		Wrench	1
K		Allen Wrench	1
L		Cord	7
M		Enclosure Netting	1
N		Enclosure Safety Instruction Placard	1
O		End Cap	4

**ALWAYS WEAR PROTECTIVE EYE GOGGLES AND WORKING GLOVES TO PREVENT INJURIES DURING THE ASSEMBLY PROCESS. TWO PEOPLE ARE NEEDED TO ASSEMBLE THE ENCLOSURE AND TRAMPOLINE.**

# ASSEMBLY AND INSTALLATION INSTRUCTIONS

---

**BEFORE YOU BEGIN:** Review all steps before assembly and read all precautions before using the trampoline. At least two adults are required to assemble the trampoline. Protective gloves should be used during assembly to avoid pinching by the springs and goggles should be worn to avoid injuries to the eyes.

To assemble this product, you will only need the special spring loading tool and wrenches provided with this product. During long periods of non-use, this trampoline should be disassembled and properly stored away in a dry place.

## PRIOR TO ASSEMBLY

Before you begin to assemble the product, please refer to the Part List and make sure you have all the parts needed. If you are missing any parts, please contact our Customer Service toll-free number 1-888-707-1880.

## LOCATION OF TRAMPOLINE

For safe use of the trampoline, please assemble the trampoline in a location that meets the following conditions:

- The minimum overhead clearance required is 26.25 feet (8 meters).
- The trampoline must be placed on a level surface, preferably grass.
- Clear any obstructions from beneath the trampoline and maintain clear space around the trampoline. Do not place the trampoline near walls, fences, other play equipment, etc.
- Make sure the trampoline is installed in a well-lit area.
- Trampoline should be placed in an area where access can be restricted from authorized use, for example, neighborhood children without your consent and supervision.

If you do not follow these guidelines, you increase the risk of someone getting injured.

---

## **WARNING**



NO MORE THAN ONE PERSON AT A TIME ON THE TRAMPOLINE!  
MULTIPLE JUMPERS INCREASE THE RISK OF INJURY SUCH AS BROKEN HEAD, NECK, LEG OR BACK.



PARALYSIS OR DEATH CAN RESULT IF YOU LAND ON YOUR HEAD OR NECK!  
DO NOT PERFORM SOMERSAULTS (FLIPS) AS THIS WILL INCREASE YOUR CHANCES OF LANDING ON YOUR HEAD OR NECK!

---

**FAILURE TO FOLLOW INSTRUCTIONS AND WARNINGS COULD RESULT IN SERIOUS INJURY OR DEATH.**

# TRAMPOLINE FRAME ASSEMBLY

## STEP 1 – Frame Layout

There are a total of 30 pieces of steel tubing parts that are needed to assemble the trampoline frame. All parts with the same part number are interchangeable and have no “right” or “left” orientation. To connect the parts, simply slide the section of tubing that is smaller on the one end into the adjacent section that has a larger opening. These joints are called “connector points”. Lay out the following parts on level ground as shown in FIGURE 1. Ensure the holes on vertical leg (Part 6B) are facing towards the outside of the diameter of the trampoline. This is necessary to attach the enclosure poles during the enclosure assembly process.

1. Top Rail with Leg Sockets (# 3 – 6 pieces)
2. Top Rail (# 4 – 6 pieces)
3. Leg Base (# 5 – 6 pieces)
4. Vertical Leg Extension (# 6a– 8 pieces)  
Vertical Leg Extension (# 6b – 4 pieces)

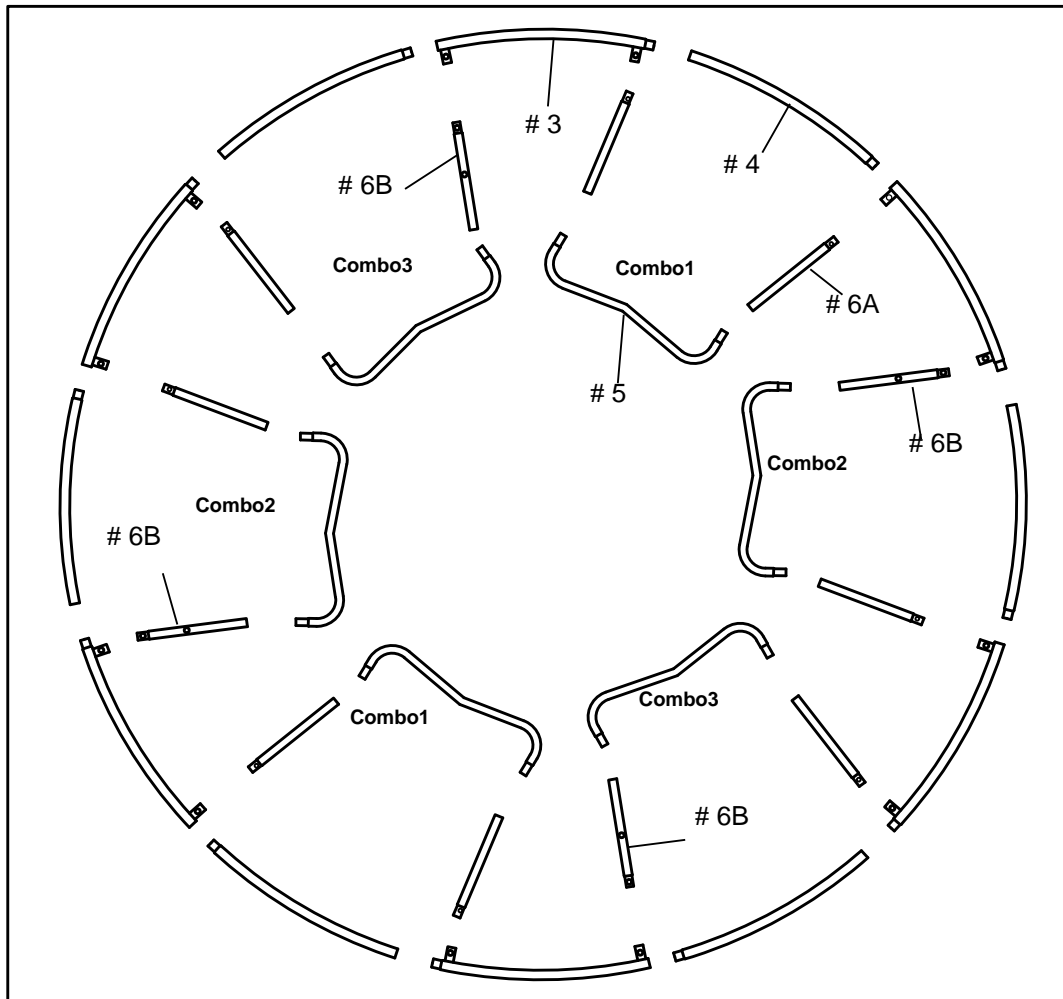
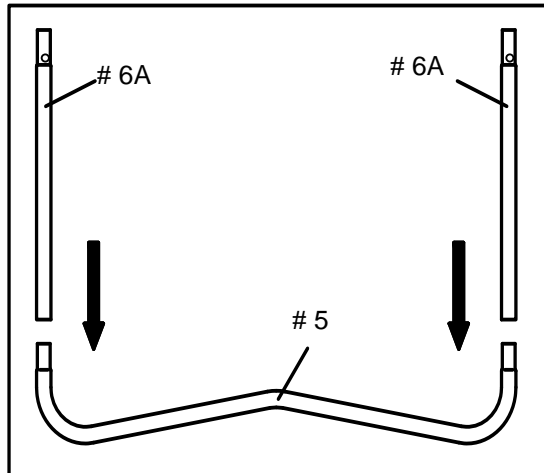


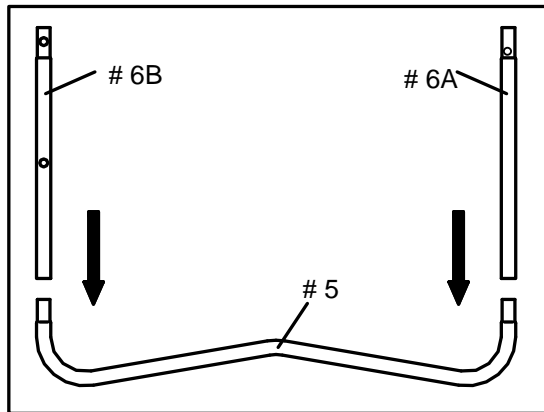
FIGURE 1

## STEP 2 – Support Assembly

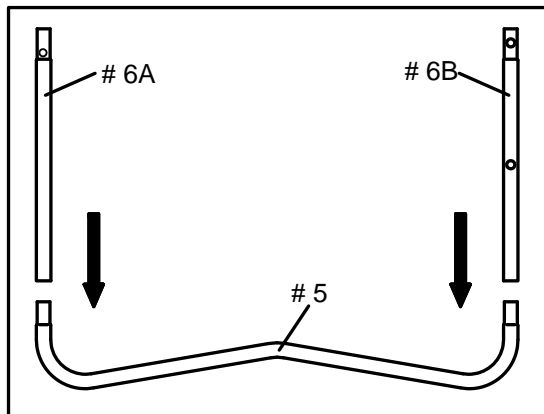
Slide all vertical leg extensions into the leg base (5) as shown in FIGURE 2. Please be sure there are two sets of each combination as shown below.



Combination 1



Combination 2



Combination 3

FIGURE 2

### STEP 3 – Top rail assembly

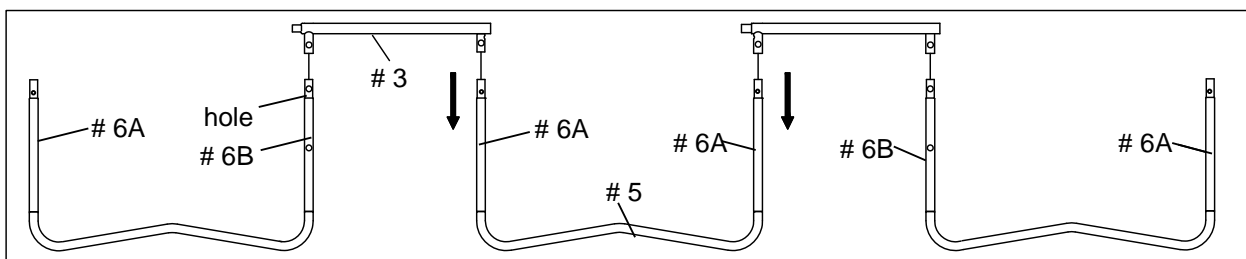
**HINT - Two people will be needed at this point to assemble the trampoline.**

See FIGURE 1 from Step 1. Layout the support assembly like the diagram, combination 1, combination 2 and combination 3, and repeat.

Using the combination from Step 2, lift combination 1, insert top rail with leg socket (part 3) into one end of the support assembly, part 6A. Lift combination 2 insert the other end of the same top rail with leg socket into part 6B of combination 2.

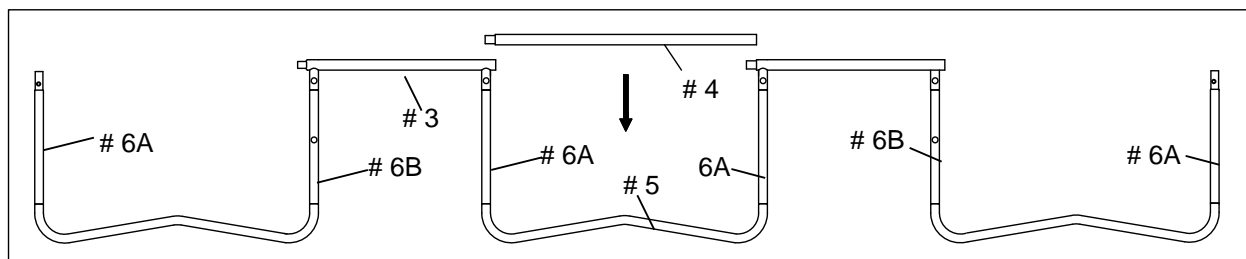
Take another top rail with leg socket (part 3) and insert into part 6A of combination 2. Lift combination 3 and insert the other end of the same top rail with leg socket into part 6A of combination 3.

Repeat the above step until all the support assemblies have been attached to the top rail with leg socket.



**FIGURE 3A**

Install the top rail (4) into the gaps between the vertical leg extensions by inserting them into the slots as shown.



**FIGURE 3B**



## Important Notice

- Make sure the holes on the Top Rail with Leg Sockets and the indent hole on the Vertical Leg Extension(# 6a-6pcs,# 6b-6pcs) are aligned and are facing outward. This is in preparation for enclosure assembly later on.
- If you find the hole not aligned, please simply rotate the Vertical Leg Extension (two holes) so the hole can match together.
- The holes need to be aligned to assemble the enclosure.

### STEP 4

Secure the Leg Supports to the Top Rail with Leg Sockets (# 3). Insert the Self-Locking Screw (# 11) through the Small Spring Lock Washer (# 10) and loosely into the hole using the Allen Wrench (# K) as shown in FIGURE 4

**HINT:** Do not over-tighten the screws at this stage. The screws should only be tightened all the way after all the springs (# 7) have been installed at a later step.

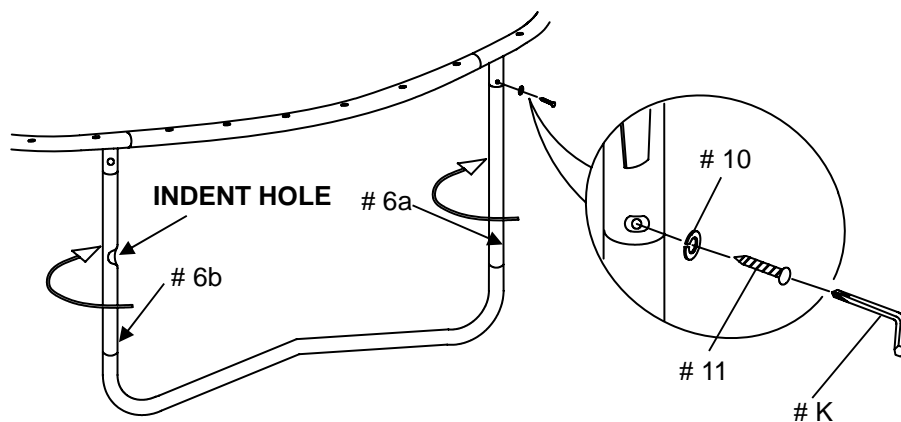


FIGURE 4

## TRAMPOLINE MAT ASSEMBLY

**BEFORE YOU BEGIN:** Review all steps before assembly and read all precautions before using the trampoline. At least two adults are required to assemble the trampoline. Protective gloves should be used during assembly to avoid pinching by the springs and goggles should be worn to avoid injuries to the eyes.

To assemble this product, all you need is our special spring loading tool and wrenches provided with this product.



**⚠ WARNING** When attaching the springs, do not place your hands, arms, legs, or any parts of body close to the connector points. The connector points can become pinch points as the trampoline springs tighten up. Wear heavy duty working gloves to protect your hands.

### STEP 5

Place the Trampoline Mat (# 1) inside the frame with the warning labels facing up as shown in FIGURE 5.

Hint: Aligning the warning labels with any of the legs of the trampoline will simplify the installation process.

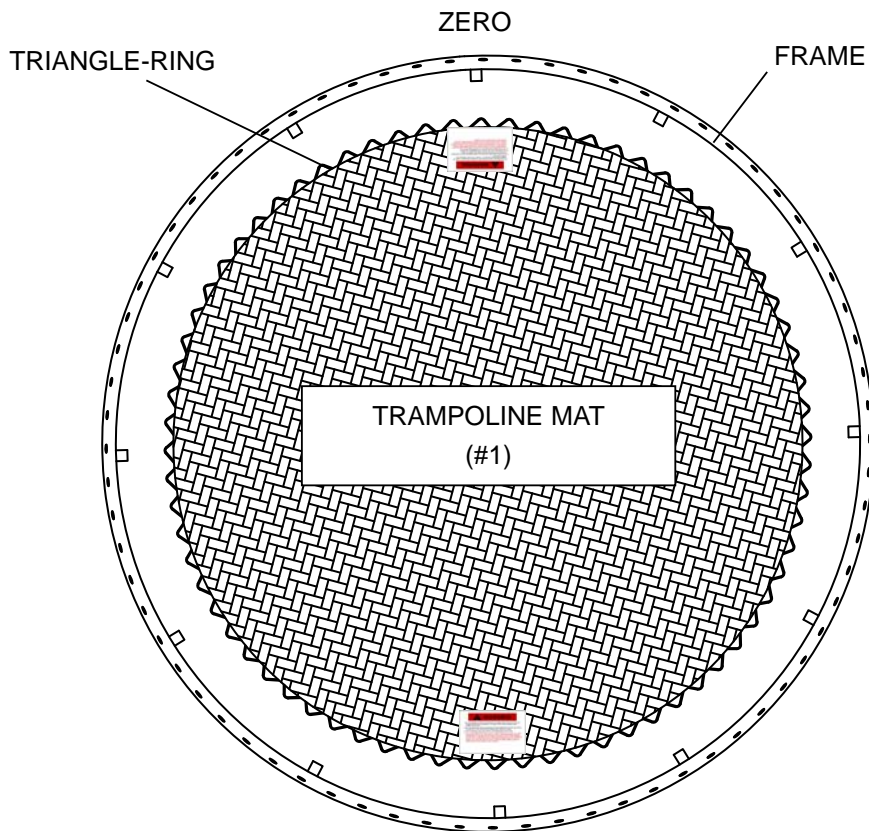
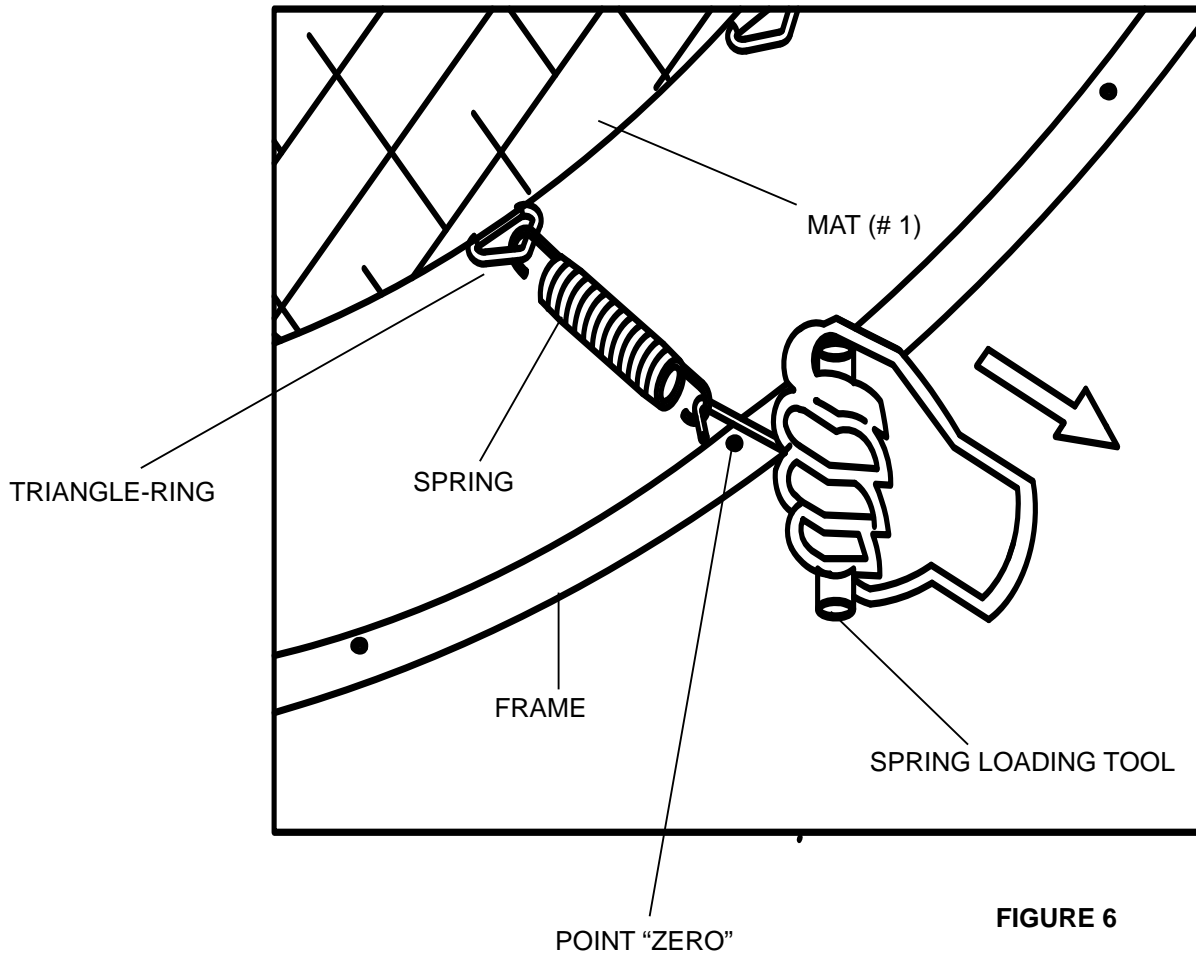


FIGURE 5

### STEP 6

Select an arbitrary point on the Frame (call it Point "ZERO"). Hook one end of the Spring (# 7) onto the triangle-ring on the Mat (# 1). Holding the Spring Loading Tool underhand, pull the other end of the Spring towards point "ZERO" and drop the hook into the hole on the Frame as shown in FIGURE 6. Tap on the Spring to make sure it is securely latched onto the hole.



**FIGURE 6**



## STEP 7

Next, starting from point Zero, count to hole **36** on the opposite end of the mat and attach a Spring in the same manner. For an even distribution of tension and ease of assembly, springs should always be installed on opposite sides of the mat/frame in an alternating manner, i.e. Zero, then 18, followed by 36 and 54 as shown in FIGURE 7.

**Hint:** There are **72** Triangle-rings sewn on the mat and **72** corresponding holes on the Frame, none of which are numbered so please follow these instructions carefully to ensure proper installation. If you notice that you have miscounted a hole or Triangle-Ring, remove and reinstall the springs as necessary while maintaining an even distribution of tension as explained above

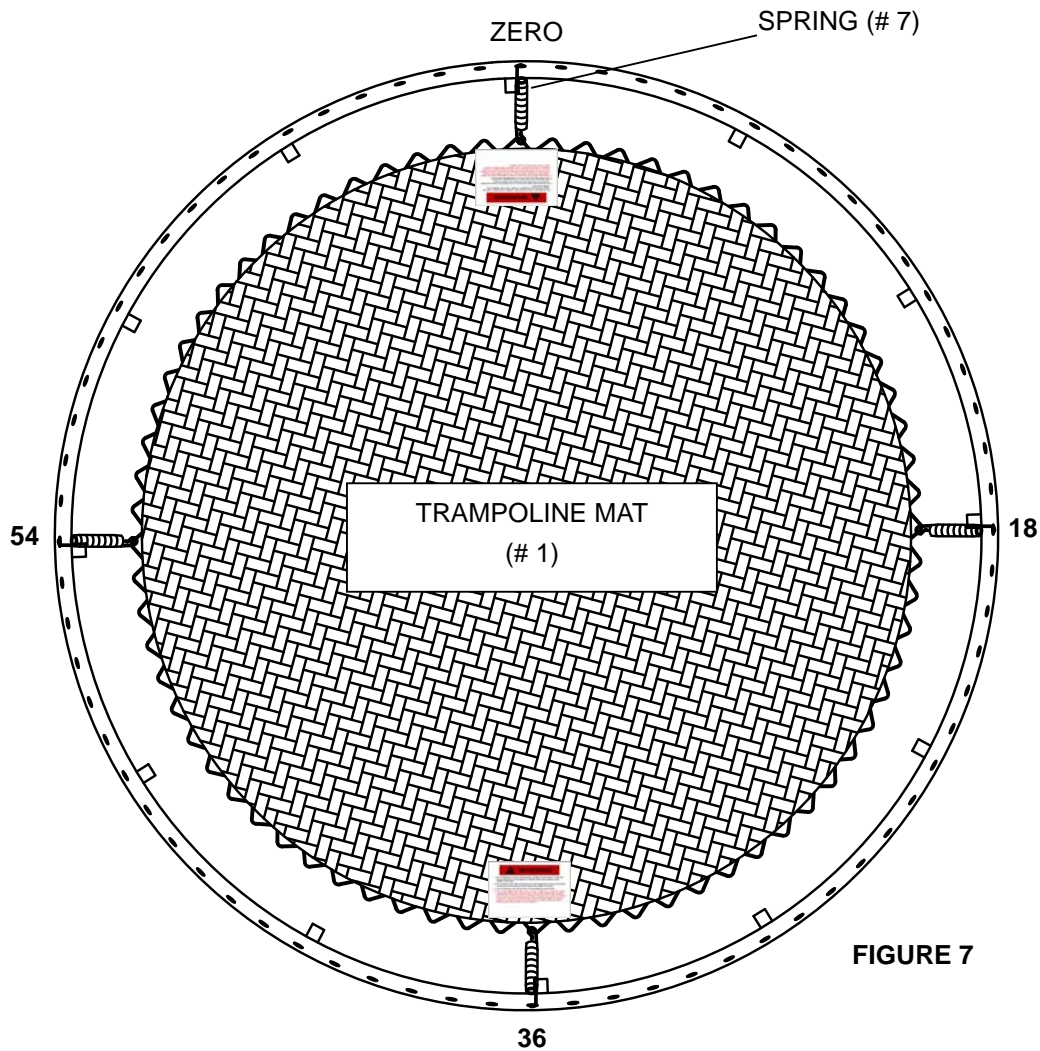


FIGURE 7

### STEP 8

Attach a spring at every 6<sup>th</sup> hole interval. For even distribution of tension and ease of assembly, the springs must be placed on opposite sides of the mat in an alternating manner, i.e. 6 then 42, 24 then 60, etc. In addition to the previously installed springs, you should now have springs at 6, 12, 24, 30, 42, 48, 60 and 66 as shown in FIGURE 8.

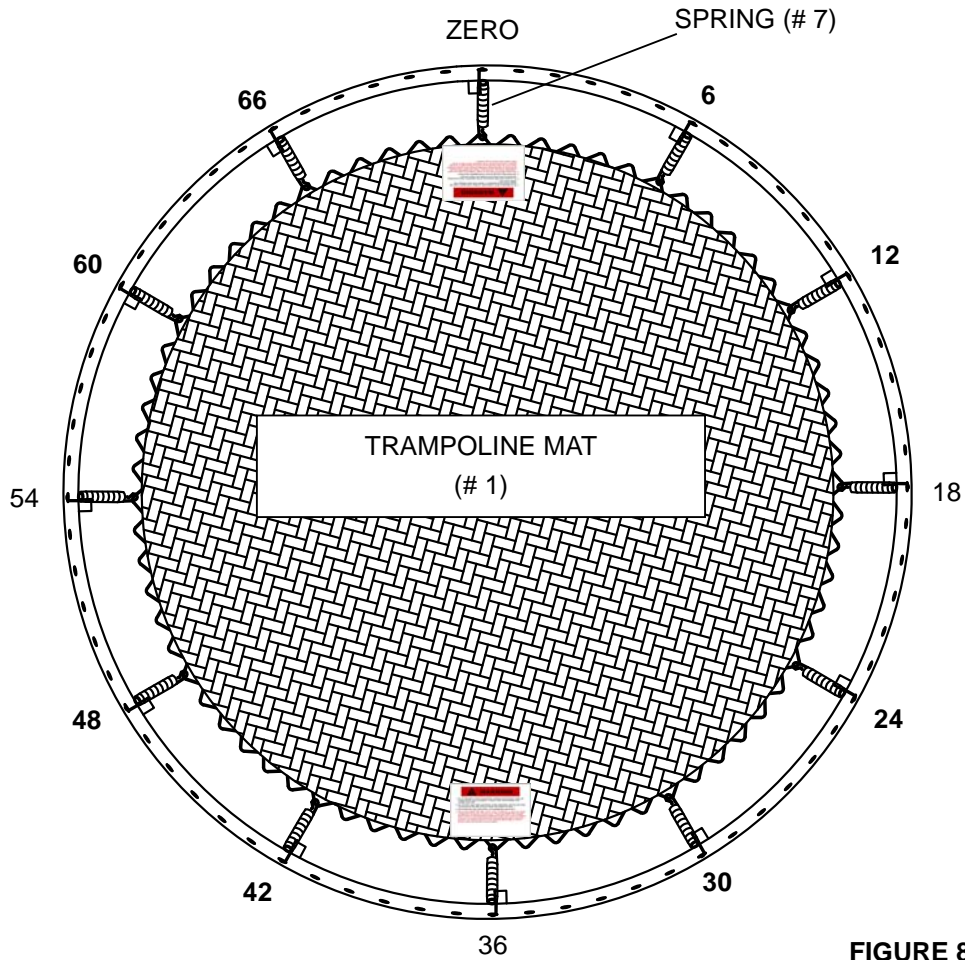


FIGURE 8

## Step 9– Spring Assembly

Attach a spring at every 3<sup>rd</sup> hole interval. For even distribution of tension and ease of assembly, springs should be placed on opposite sides of the mat/frame.....i.e. 3 then 39, 57 then 21, etc. In addition to the previously installed, you should have springs at 3, 9, 15, 21, 27, 33, 39, 45, 51, 57, 63 and 69 as shown in FIGURE 9.

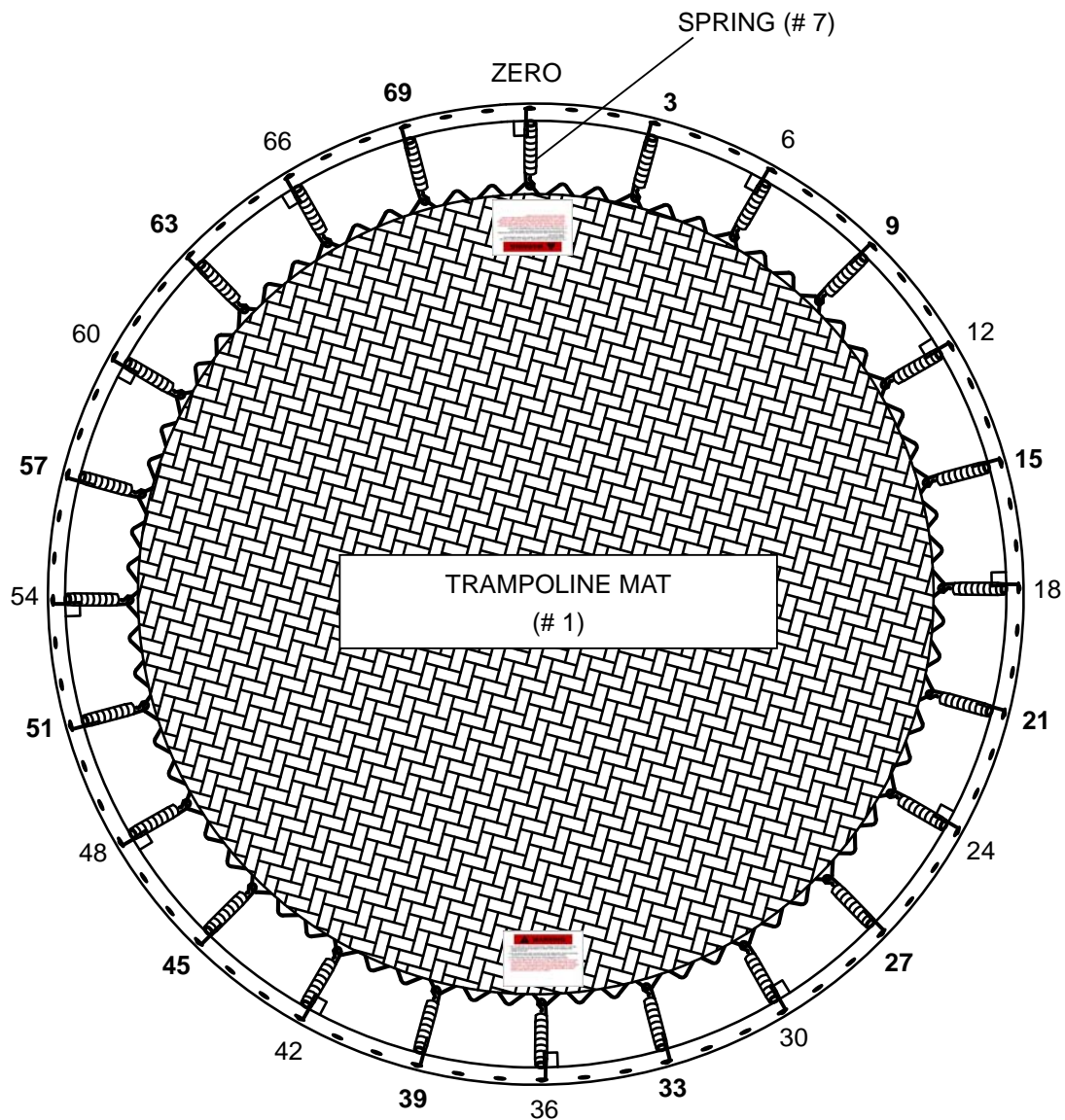


FIGURE 9

## Step 10

Continue to attach the remaining 48 springs in the same manner as the previous step, i.e. the springs must be placed on opposite sides of the mat in an alternating manner to ensure even distribution of tension.

The completed trampoline should look as shown in FIGURE 10.

**IMPORTANT:** Once all the springs are properly installed, you must go back to Step 5 and now tighten all the screws on the Leg Supports.

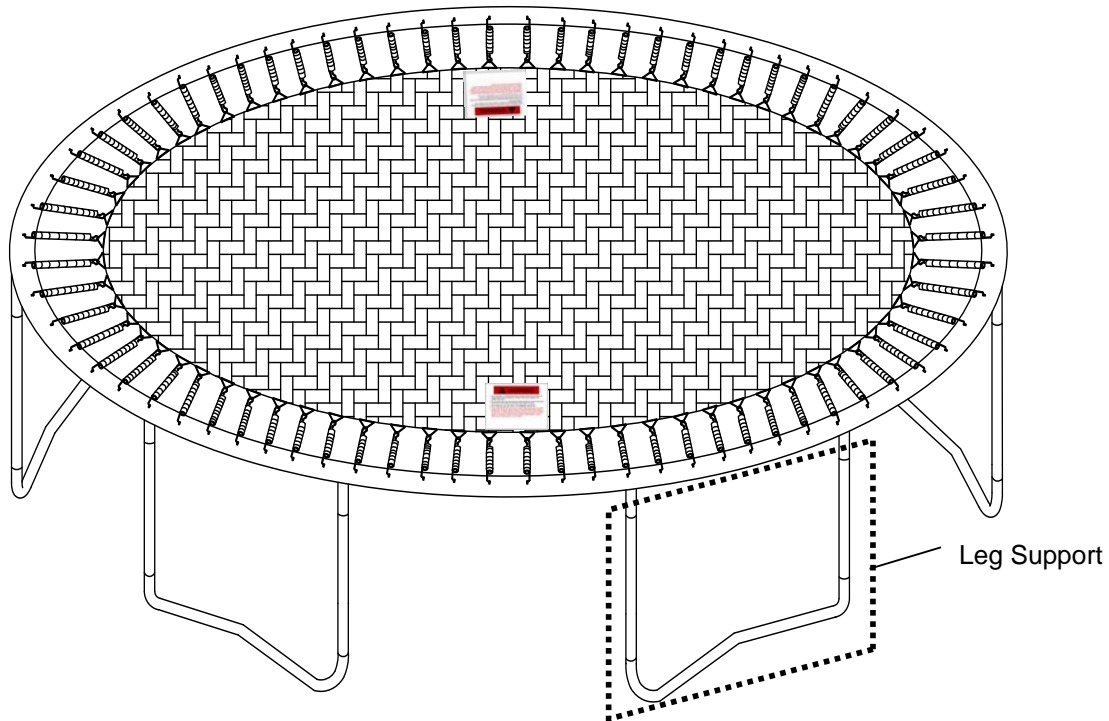


FIGURE 10

## Step 11– Trampoline Safety Placard Attachment

Attach Trampoline Safety Instruction Placard (# 8) to the trampoline frame using the strap provided as shown in FIGURE 11. Make sure the strap is looped around the frame to ensure that it does not slide off the trampoline.

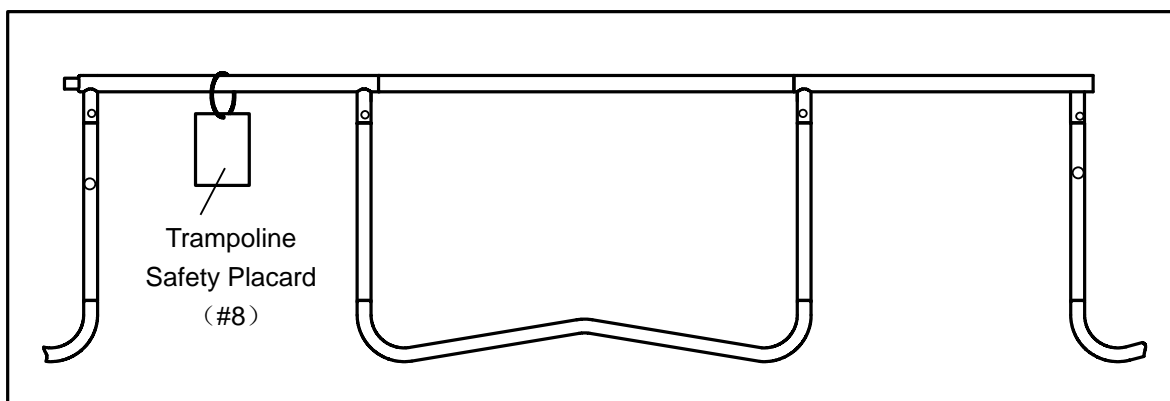


FIGURE 11

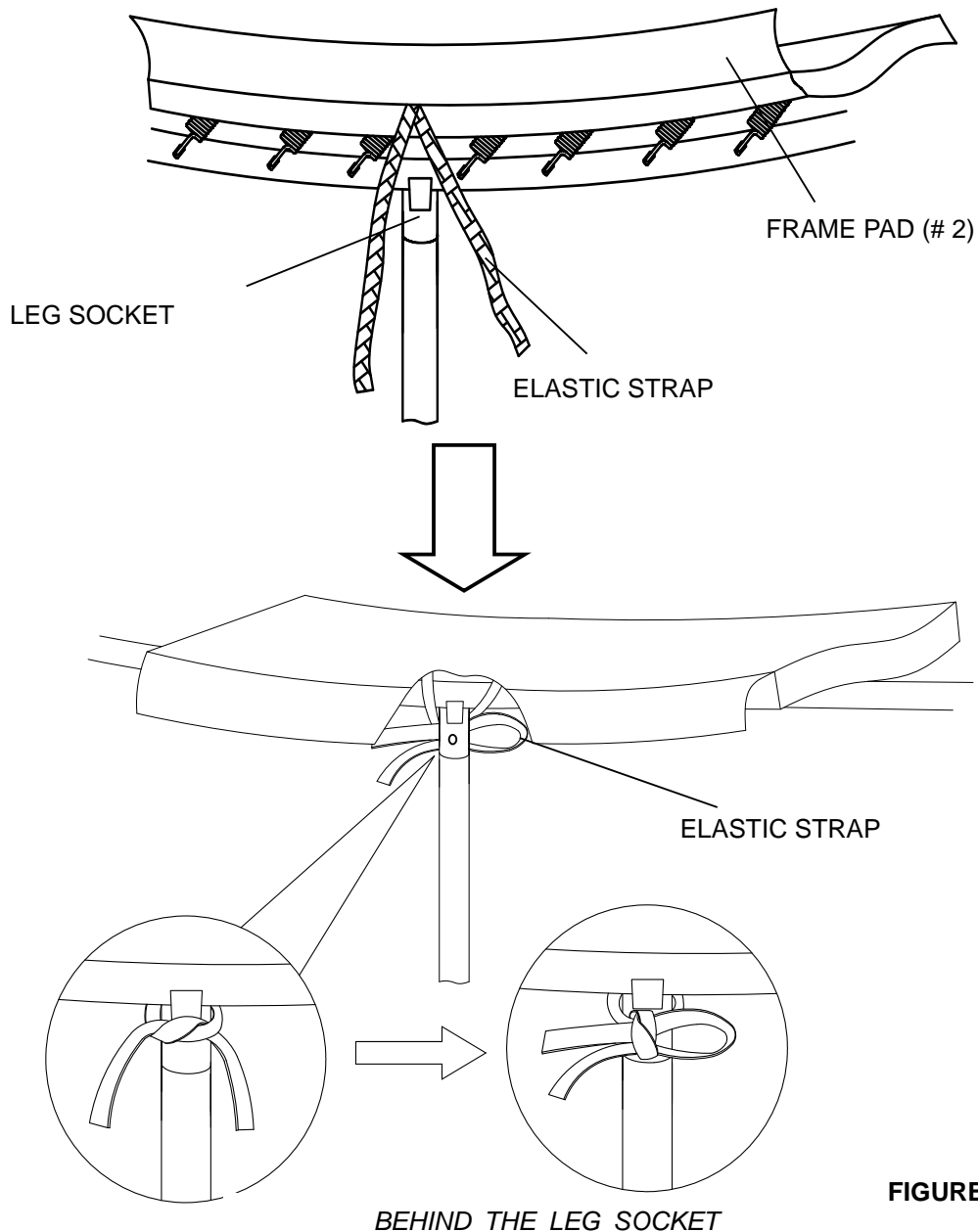
## FRAME PAD ASSEMBLY

### **⚠ WARNING**

Never use the trampoline without the Frame Pad. Inspect the Frame Pad before each use to ensure all exposed metal parts are fully covered by the Frame Pad!!

#### STEP 12

Lay the Frame Pad (# 2) over the trampoline so that the springs and steel frame are fully covered. Next, line up the elastic straps to the leg sockets and wrap the elastic straps **BEHIND** the leg sockets. First, tie a half-knot and then tie it into a one-sided bow as shown in FIGURE 12. Repeat this step for all of the outer straps.



**FIGURE 12**

### Step 13

Finally, wrap the inner elastic straps around the triangle-ring and tie a half-knot as shown in the ENLARGED DIAGRAM, then tie it into a one-sided bow as shown in FIGURE 13. Repeat this step for all of the inner straps.

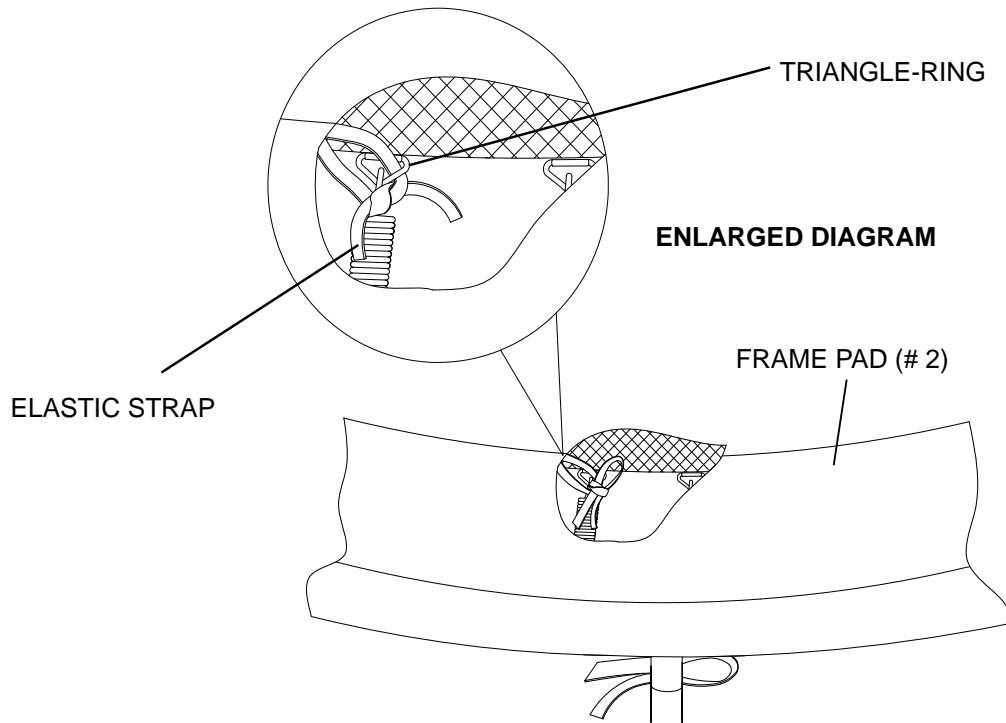


FIGURE 13

## **⚠ WARNING**

- Make sure the Frame Pad is securely attached to the frame and completely covers the frame and all springs before using this trampoline. Do not use the trampoline if even one spring or Triangle-ring is damaged or missing.
- Perform a complete inspection of the trampoline to make sure all parts are assembled and attached properly.
- Read this entire manual and make sure all jumpers completely understand all of the safety rules printed in the manual and on the various warning signs. Instruct all jumpers on the basic bounces described in the manual.

## **DISASSEMBLY OF TRAMPOLINE**

To disassemble the trampoline, follow all the above steps in reverse order. Do not attempt to disassemble any frame components before the springs and the mat have been removed. Use heavy duty gloves to protect your hands from pinch points during disassembly.

## **TRAMPOLINE ENCLOSURE ASSEMBLY**

**NOTICE: SOME FOAM TUBE DEFORMATION MAY TAKE PLACE DURING TRANSPORT. THIS IS NORMAL AND SHOULD NATURALLY RECOVER OVER TIME.**

**BEFORE YOU BEGIN:** Review all steps before beginning assembly and read all precautions before using the trampoline. All the tools needed are included with this package.

**Note: Two adults are required to assemble this enclosure.**

**STEP 14:**

- Please have someone helping you to hold the frame tube.
- Be steady when you do this step.

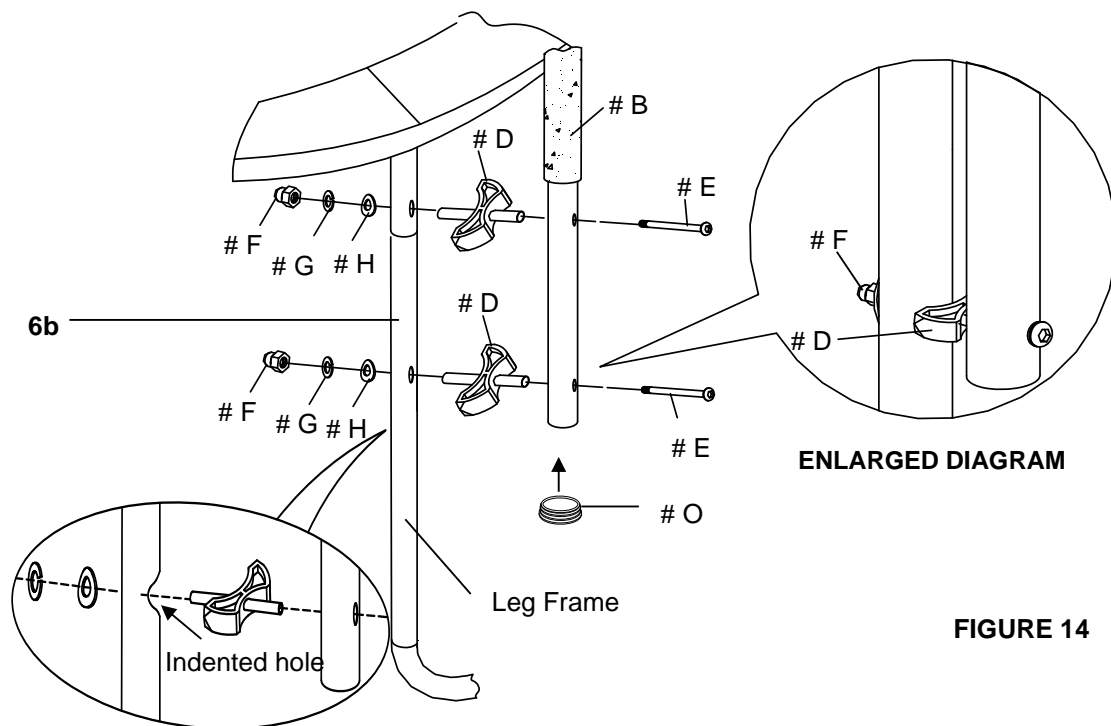
attach End Cap (# O) to the Lower Frame Tube with Foam (# B) – the side with the larger opening.

Next, place the Lower Frame Tube with Foam (# B) next to the Leg Support (i.e. the side with 2 holes) and secure them together using Screw (# E), Gap Spacer (# D), Arc Washer (# H), Large Spring Lock Washer (# G) and Cap Nut (# F) in the order shown in FIGURE 14.

Repeat this step for all the frame tubes.

**IMPORTANT:**

- The smaller arc of the Gap Spacer (# D) must face the Lower Frame Tube with Foam (# B).
- All three holes on the Lower Frame Tube with Foam (# B) are facing outward. The two holes not covered by the foam tube are used for attachment to the Leg Frame. The other hole located at the top (which may be covered by the foam) is used for connection to the Upper Frame Tube with Foam (# A) at a later step.
- There may be some deformation of the foam on the enclosure tubes due to compression during transport. This is normal and the shape of the foam should recover naturally over time.

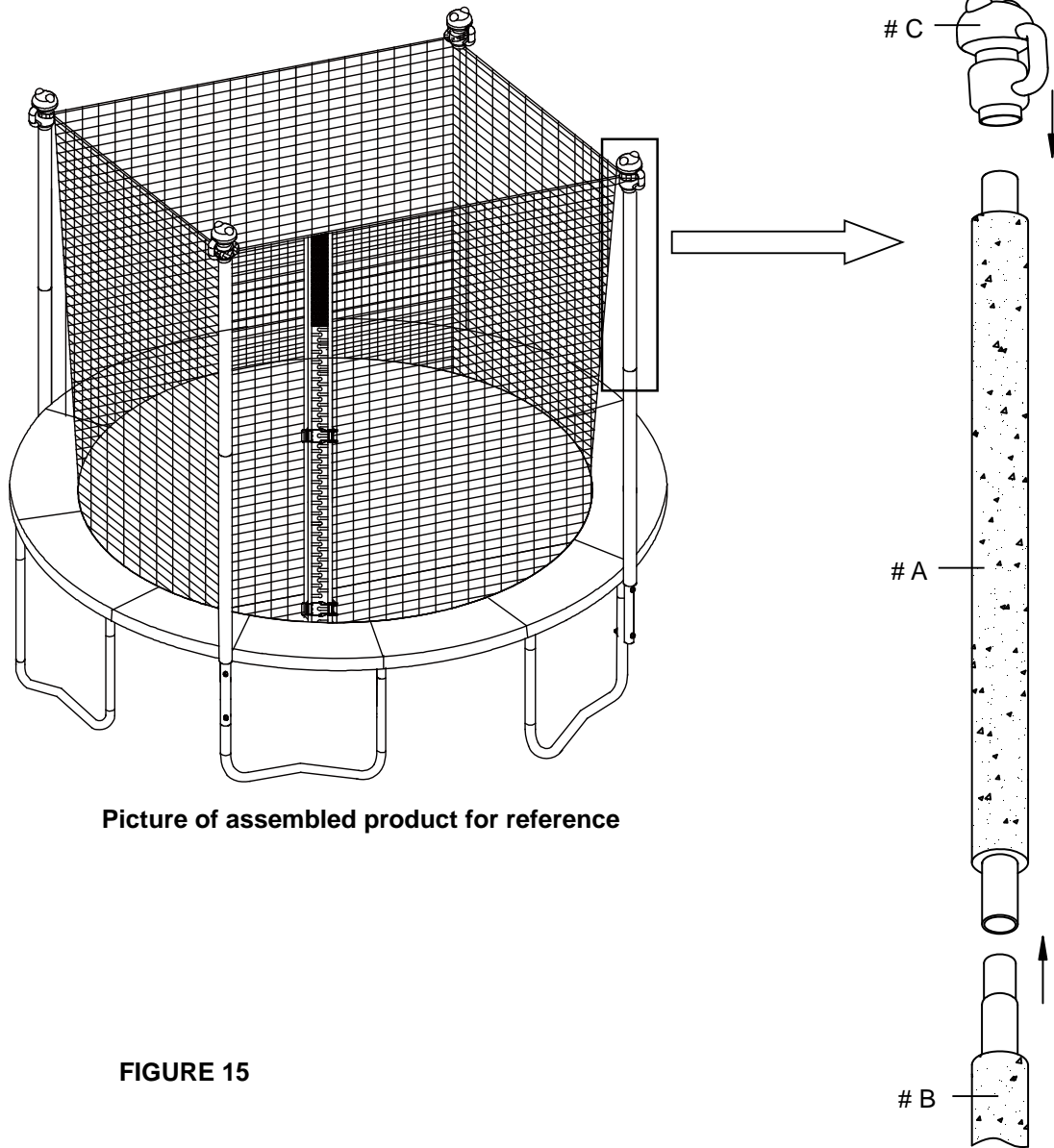


**FIGURE 14**

**STEP 15**

Attach Tube Cap (# C) to the Upper Frame Tube with Foam (# A), and connect the Upper Frame Tube with

Foam (# A) to the Lower Frame Tube with Foam (# B) as shown in FIGURE 15.Repeat this step for all of the Frame Tubes.



Picture of assembled product for reference

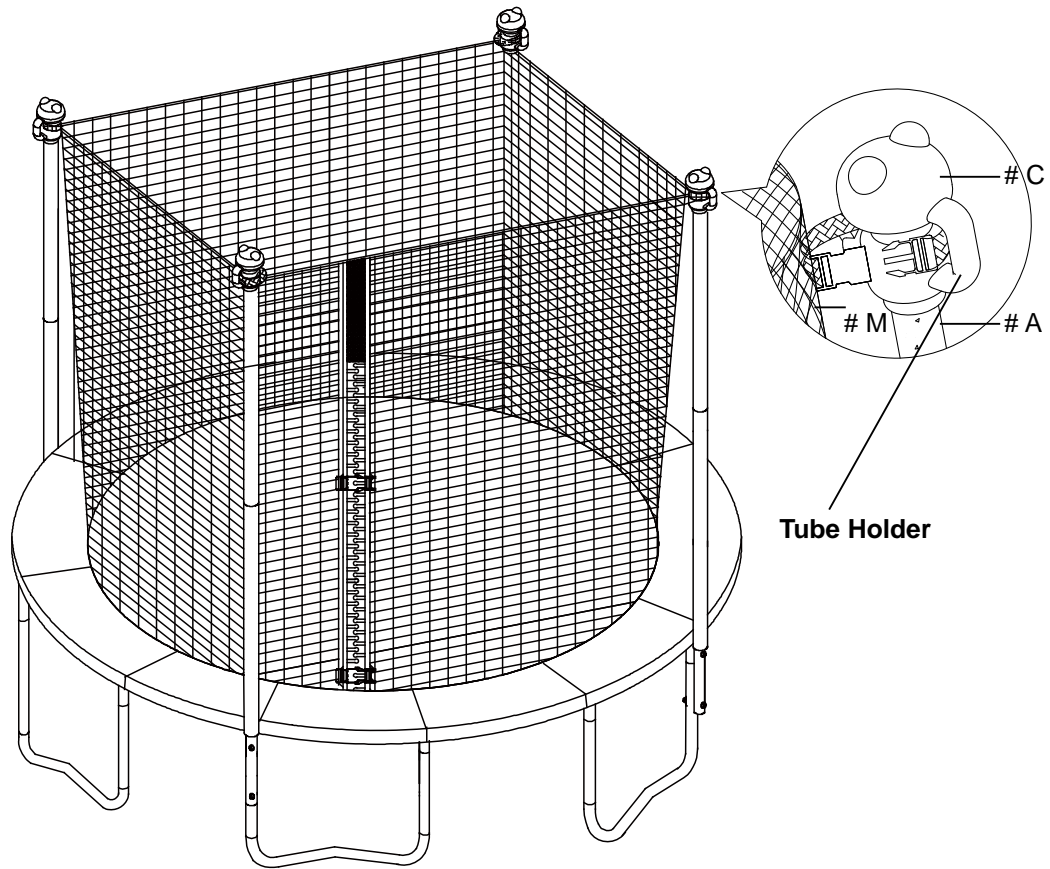
FIGURE 15

**STEP 16**

Attach the Enclosure Netting (# M) to the assembled enclosure frame by attaching the buckle straps located



at the top of the enclosure netting to the Tube Cap (# C) as shown in Figure 16. Repeat the same step for all the buckle straps. Please make sure the Tube Holder is facing outward.

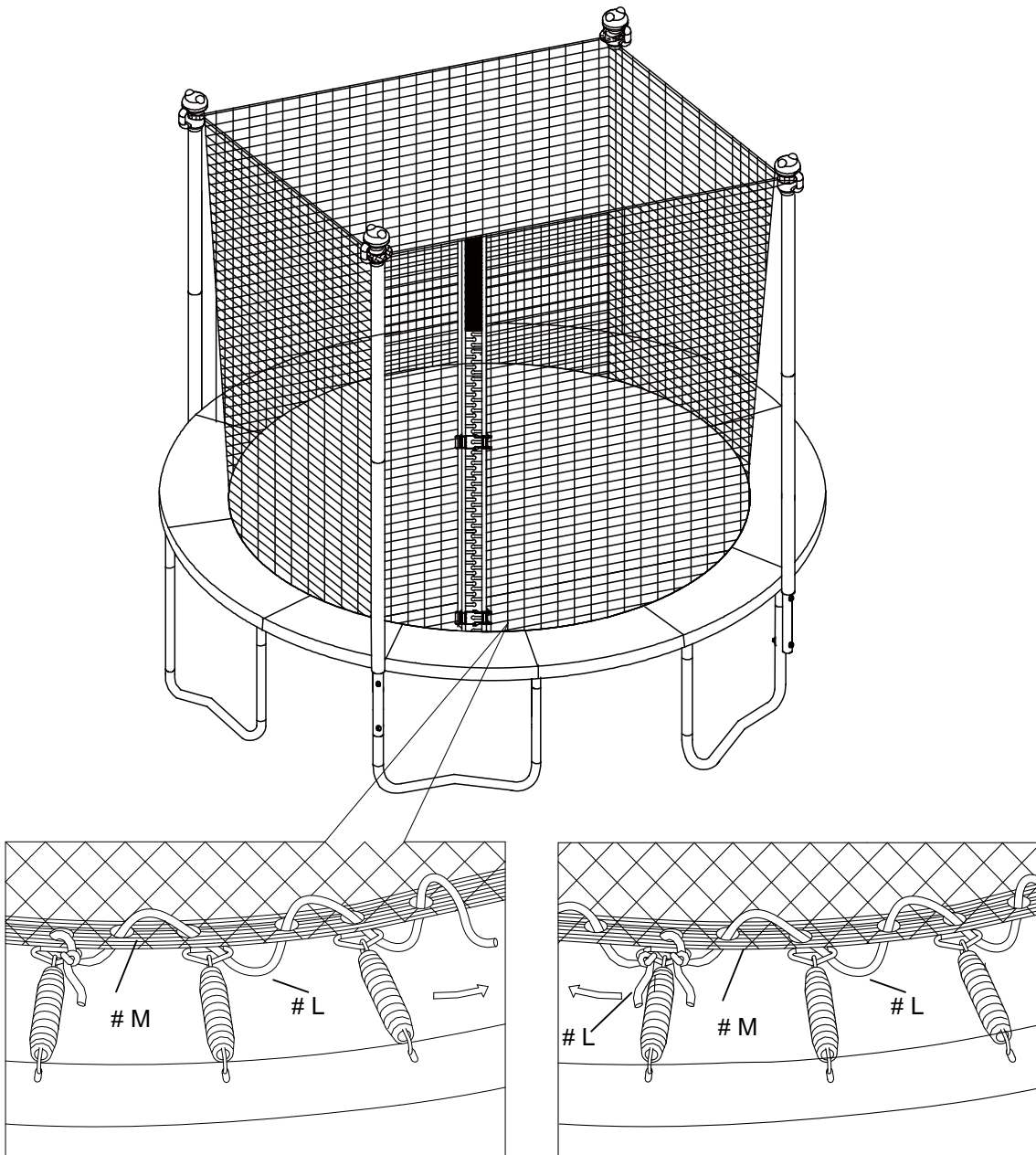


**FIGURE 16**

**STEP 17**

Secure the bottom of the enclosure netting to the trampoline using Cord (# L). Tie one end of the Cord (# L)

to any one of the Triangle-Rings first, and then pull the Cord through the holes on the edge of the net and loop through the Triangle-Ring as shown in the enlarged diagram of FIGURE 17. Thread the Cord through the entire diameter of the trampoline mat and tie both ends of the cord together tightly.

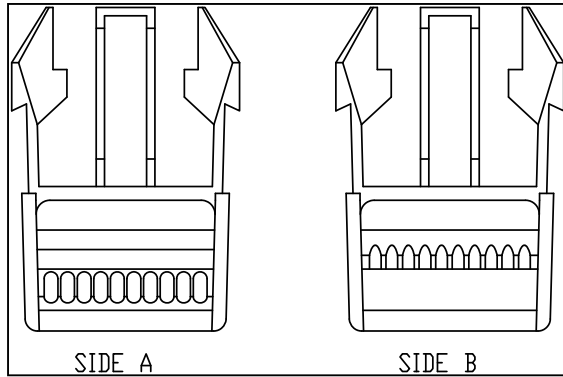


Enlarged Diagrams

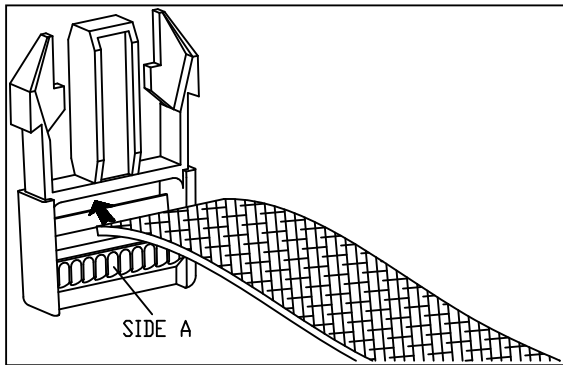
FIGURE 17

### IMPORTANT NOTICE

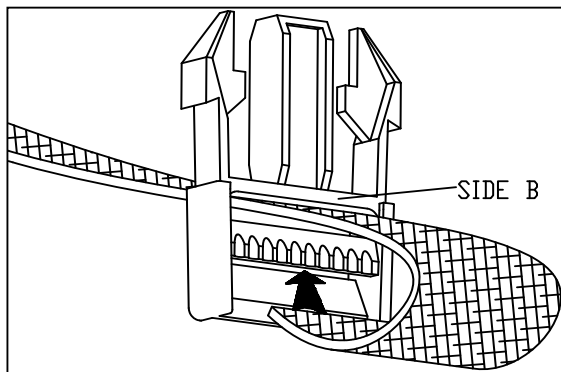
If the strap falls off the buckle, please reassemble by the following instructions.



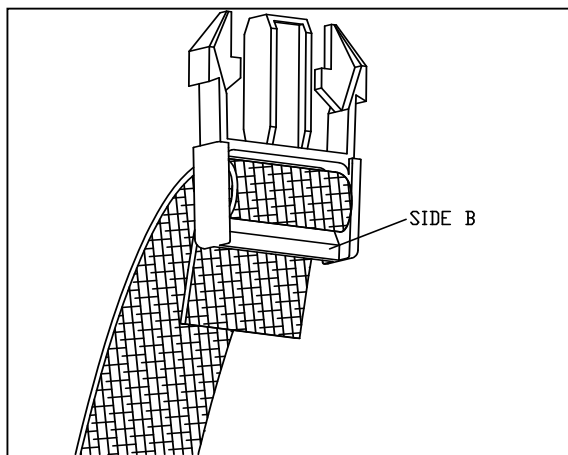
**Please note that the two sides of the buckle are different. You should slide the strap through the slot from SIDE A, otherwise it would not work properly.**



**Hold the buckle in position as shown, then slide the end of strap through the top slot.**



**Now slide the same strap through the bottom slot.**

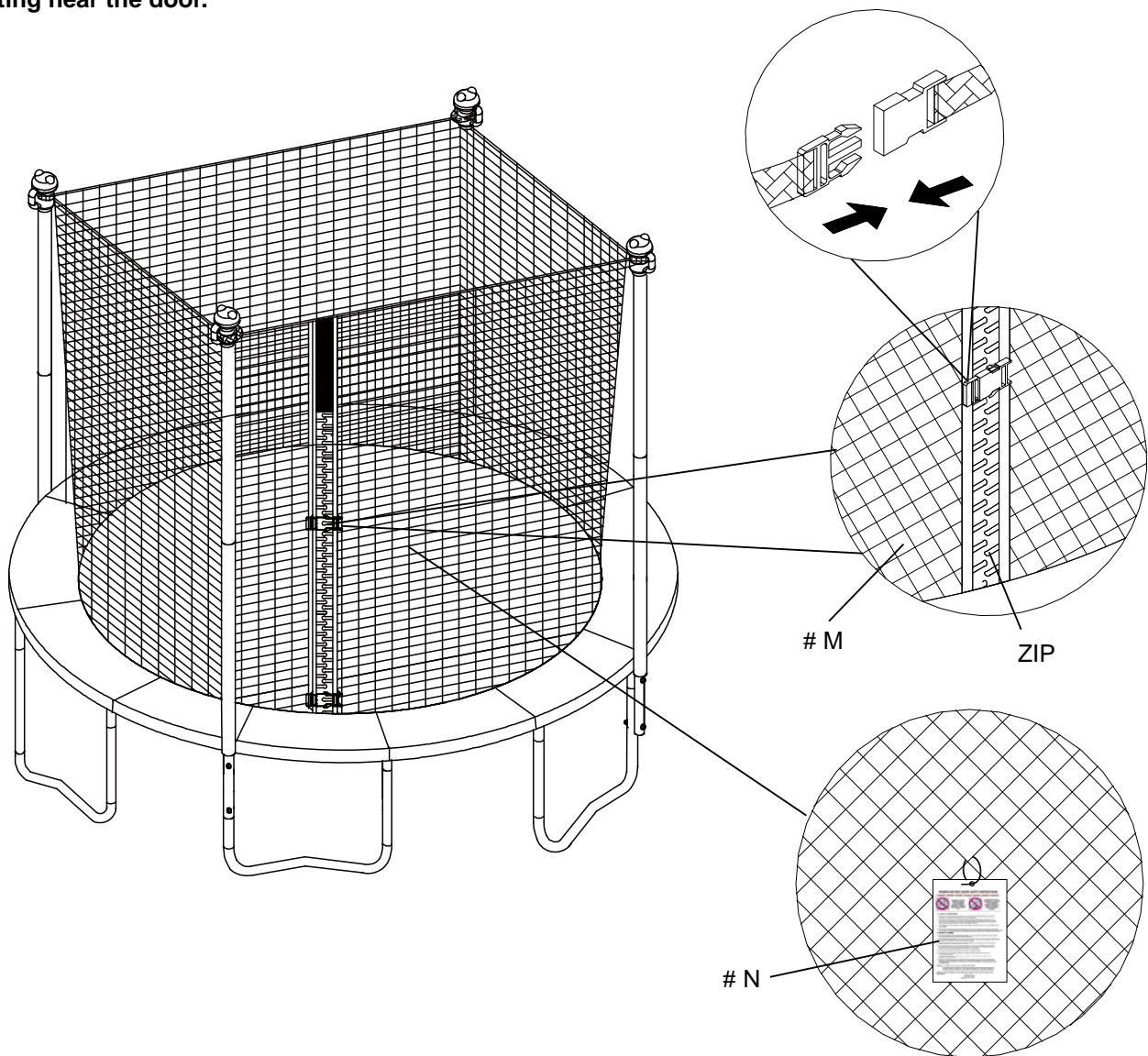


**When completed, the final appearance should look like this.**

**STEP 18**

Pull the zipper of Enclosure Netting (# M) at the door which should be located between two leg bases of the trampoline, and snap together the buckles as shown in FIGURE 18.

**Note: Using the plastic tie provided, attach the Enclosure Safety Instruction Placard (# N) to the netting near the door.**



**FIGURE 18**

## **DISASSEMBLY OF ENCLOSURE**

To disassemble the enclosure netting, simply follow the above instructions in reverse order.

# CARE AND MAINTENANCE INSTRUCTIONS

---

## **REGULAR INSPECTION OF THE TRAMPOLINE:**

Inspect the trampoline before each use and replace any worn, defective or missing parts. The following conditions could represent potential hazards:

- Missing, improperly positioned or insecurely attached frame padding
- Punctures, frays, tears or holes in the trampoline mat or frame padding
- Deterioration in the stitching or fabric of the mat or frame padding
- Ruptured or loose springs
- Bent or broken frame
- Sagging trampoline mat
- Sharp protrusions on the frame or suspension system

**IF YOU FIND ANY OF THE ABOVE SIGNS OR ANYTHING OTHER INDICATIONS OF WEAKNESS IN THE INTEGRITY OF THE TRAMPOLINE, THE TRAMPOLINE SHOULD BE DISASSEMBLED OR SECURED FROM USE UNTIL THE CONDITION(S) HAS BEEN RESOLVED.**

## **REGULAR INSPECTION OF THE TRAMPOLINE ENCLOSURE NET:**

Your trampoline enclosure netting is manufactured with UV resistant material. Despite this the enclosure net is subject to wear from environmental factors, including UV rays, acid rain, pollution, wildlife and damage from contact with people, animals, or other objects. It is imperative and necessary to carefully inspect the net prior to any use. Such inspection should include a careful examination to look for any discoloration, frays, tears, cuts, holes, punctures, stitches that look worn and for proper attachment to the trampoline. If any of these conditions are evident, the trampoline must not be used and the netting material replaced must be immediately.

Although the net is under warranty for 90 days, any of the factors listed above could cause the net to fail and therefore it must always be carefully inspected before every use. If the trampoline is not to be used for an extended period of more than 30 days, it is recommended the user remove and secure the net in an indoor protected location.

## **SAFETY WARNINGS FOR THE TRAMPOLINE ENCLOSURE NET:**

- The enclosure net is provided as a safety feature only and is not to be used for play. The enclosure net is meant to help prevent a single user who uses the trampoline in a manner consistent with the instructions in the owner's manual from falling off the trampoline if he or she loses their balance.
- The net is not meant to be and must not be intentionally jumped or bounced against. Do not play games using the net or any activity where you bounce or make contact with the net.
- Do not punch, kick, tear, put objects into the netting, cut, hang items from the net, climb, attach, or allow pets near the net.
- Having more than one jumper is not allowed and causes excess forces on the net which could cause it to fail leading to serious injuries.

**MOVING THE TRAMPOLINE:**

- Two or three people will be needed to move trampoline.
- Before lifting the trampoline, all connector points must be wrapped and secured with weather resistant tape, e.g. duct tape. This will keep the frame intact during the move and prevent the connector points from dislocating and separating.
- Keep the trampoline steady and horizontal to the ground during the move. Do not pick up the frame more than two inches off the ground. Picking it up too high can cause the frame to warp. If this should happen, put the trampoline back down, press down on the part that is warped and the tension of the springs should flatten the frame.
- Trampoline is not designed to be moved. However if you need to move the trampoline for any reason, you must use duct tape or heavy industry tape to tape all leg joints together. Failure to do so may result in the leg support coming lose and may cause serious injury or death.

**WEATHER CONDITIONS:**

Please be aware of the weather conditions when using the trampoline. If the mat of the trampoline is wet, the jumper could slip and suffer injuries. If it is too windy, jumpers could lose control. Use the trampoline only when the jumping mat is clean and dry. A wet jumping mat is extremely slick and prevents a stable landing. Trampoline should be stored away during harsh weather conditions including extreme heat and snow or freezing temperature. Extreme temperature may cause damages and tears to the mat and netting and cause injury.

**WINDY WEATHER:**

The product must not be used in windy conditions as wind can cause unexpected movement of the product. The product must be properly stored away or disassembled completely during severe windy conditions. If you live in an area where there are winds strong enough to move the product, you should consult a local contractor about ways to secure the product in your location.

**LIMIT ACCESS:**

Always properly store away the trampoline and enclosure when not in use and secure from any unauthorized use. When the trampoline is not in use, always store the access ladder in a secure place so that unsupervised children cannot play on the trampoline.

# PROPER USE INSTRUCTIONS

---

## **MAXIMUM USER WEIGHT:**

Maximum weight of user should not exceed 220lbs (100kg). Trampolines over 20 inches (51cm) tall are not recommended for use by children under 6 years of age.

## **MOUNTING AND DISMOUNTING:**

Be very careful when getting on and off the trampoline. **DO NOT** mount the trampoline by grabbing the safety pad, stepping onto the springs or by jumping onto the mat of the trampoline from any object (i.e. a deck, roof or ladder). This will increase your chance of getting injured! **DO NOT** dismount by jumping off the trampoline and landing on the ground, regardless of the makeup of the ground. If small children are playing on the trampoline, they should be assisted when dismounting.

## **USE OF ALCOHOL AND DRUGS:**

**DO NOT** consume any alcohol or drugs when using this trampoline! This will increase your chances of getting injured since these foreign substances impair your judgment, reaction time and overall physical coordination.

## **MULTIPLE JUMPERS:**

No more than one person should jump on the trampoline at any one time. Multiple jumpers increase the chance of injuries being suffered, such as jumpers bumping into each other or being pushed off the trampoline or onto the springs. Generally, the lightest person on the trampoline will get injured. No more than one person at a time on the trampoline.

## **STRIKING THE FRAME OR SPRINGS:**

When playing on the trampoline, **STAY** in the center of the mat. This will reduce your risk of getting injured by landing on the frame or springs. Always keep the frame pad covering the frame of the trampoline. **DO NOT** jump or step onto the frame pad directly since it was not intended to support the weight of a person.

## **MAINTAIN CONTROL:**

**DO NOT** try difficult maneuvers, or any maneuvers until you have mastered the previous maneuver or if you are just learning how to jump on a trampoline. If you do, you will increase your risk of getting injured by landing on the frame, springs, or off the trampoline completely because you might lose control of your jump. A controlled jump is considered landing on the same spot that you took off from. If you do lose control when you are jumping on the trampoline, bend your knees sharply when you land and this will allow you to regain control and stop your jump.

## **SOMERSAULTS (FLIPS):**

**DO NOT PERFORM** somersaults of any type (backwards or forwards) on this trampoline. This can cause serious injuries, including broken neck or back and even death or paralysis.

## **FOREIGN OBJECTS:**

**DO NOT** use the trampoline if there are pets, people, or any objects underneath the trampoline. Also, do not jump on the trampoline with snow board, skateboard, roller blades, bicycle or any other equipment not authorized by the manufacturer. **DO NOT** hold any foreign objects in your hand and **DO NOT** place any objects on the trampoline while anyone is playing on it. Please be aware of what is overhead when you are playing on the trampoline. Tree limbs, wires or other objects located over the trampoline will increase your chance of getting injured.

# TIPS TO REDUCE THE RISK OF ACCIDENTS

---

## IMPORTANT SAFETY INSTRUCTIONS

### **WARNING**

**FAILURE TO FOLLOW INSTRUCTIONS AND WARNINGS COULD RESULT IN SERIOUS INJURY OR DEATH.**

**All jumpers need to be supervised, regardless of skill level or age.**

#### **Jumper's role in accident prevention**

The key here is to stay in control of your jumps. DO NOT move onto more complicated, more difficult maneuvers until you have mastered the basic, fundamental bounce. Read, understand, and practice all safety precautions and warnings prior to using the trampoline. A controlled jump is when you land and take off from the same location. For additional safety tips and instructions, contact a certified trampoline instructor.

#### **Supervisor's or owner's role in accident prevention**

Supervisors need to understand and enforce all safety rules and guidelines. It is the responsibility of the supervisor to provide knowledgeable advice and guidance to all jumpers of the trampoline. If supervision is unavailable or inadequate, the trampoline should be stored in a secure place, disassembled to prevent unauthorized use or covered with a heavy tarp that can be locked or secured with lock or chains. The supervisor is also responsible to ensure that the safety placard is placed on the trampoline and that jumpers are informed of these warnings and instructions.

## LESSON PLAN

The following lessons are suggested for you to learn basic steps and bounces. Before using the trampoline, you should read and understand all safety instructions. A complete discussion and demonstration of body mechanics and trampoline guidelines should occur between the supervisor and student as well.

### **Lesson 1**

- A. Mounting and Dismounting-Demonstration of proper techniques
- B. The Basic Bounce-Demonstration and practice
- C. Braking (Check the Bounce-Demonstration) and practice. Learn to brake on command
- D. Hands and knees-Demonstration and practice. Stress should be on four-point landing and alignment

### **Lesson 2**

- A. Review and practice of techniques learned in Lesson 1
- B. Knees Bounce-Demonstration and practice. Learn the basic down to knee and back up before trying half twist to left and right
- B. Seat Bounce-Demonstration and practice. Learn basic seat bounce then add a knee bounce, hands and knees repeat



### Lesson 3

- A. Review and practice skills and techniques learned in previous lessons
- B. Front Drop-To avoid mat burns and teach the front bounce position, all students should be requested to assume the prone position (face down on the ground) while the instructor checks for faulty positions that could cause injury
- C. Start with a hands and knees bounce and then extend body into prone position and on the mat and return to feet
- D. Practice Routine-Hands and knees Bounce, Front Bounce, back to feet, seat bounce, back to feet, seat bounce, back to feet

### Lesson 4

- A. Review and practice skills and techniques learned in previous lessons
- B. Half-Turn
  - i. Start from front drop position and as you make contact with mat, push off with arms in either the right or left direction and turn head and shoulders in same direction
  - ii. During turn, be sure to keep back parallel to mat and head up
  - iii. After completing turn, land in front drop position

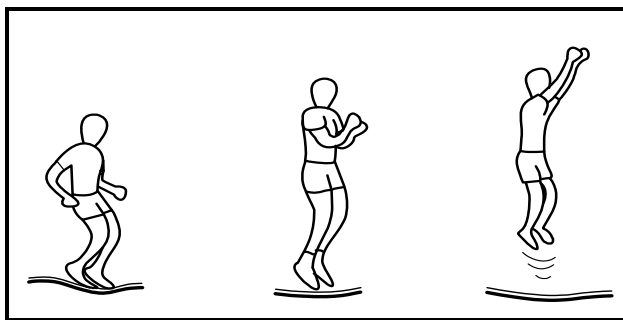
After completing this lesson, the student now has a basic foundation of trampoline bounces. Jumpers should be encouraged to try and develop their own routines with the emphasis on control and form.

A game that can be played in order to encourage students to try develop routines is "BOUNCE". In this game, players count off from 1 to X. Player one starts with a maneuver. Player two has to do Player one's maneuver and add on another. Player cannot do the routine properly in the correct sequence. The first person to miss, receives the letter "B". This continues until someone spells out the word "BOUNCE". The last remaining contestant is deemed the winner! Even when playing this game, it is important to perform your routines under control and not try difficult or highly skilled bounces that you have not yet mastered

A certified trampoline instructor should be contacted to further develop your trampoline skills

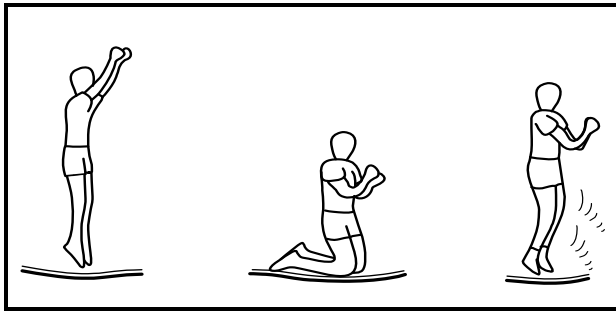
## BASIC TRAMPOLINE BOUNCES

### THE BASIC BOUNCE



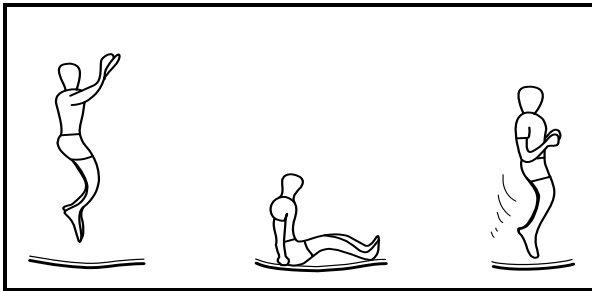
1. Start from standing position, feet shoulder width apart and with head up and eyes on mat.
2. Swing arms forward and up and around in a circular motion.
3. Bring feet together while in mid-air and point toes downward.
4. Keep feet shoulder width apart when landing on mat.

## KNEE BOUNCE



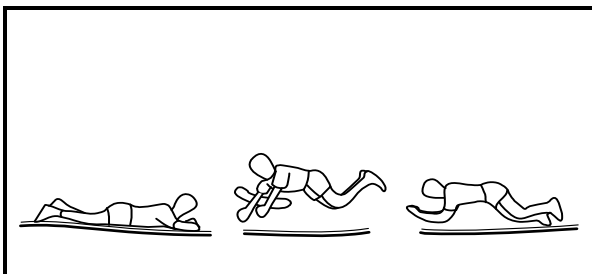
1. Start with basic bounce and keep it low.
2. Land on knees keeping back straight, body erect and use your arms to maintain balance.
3. Bounce back to basic bounce position by swinging arms up.

## SEAT BOUNCE



1. Land in a flat sitting position.
2. Place hands on mat besides hips, do not lock your elbow.
3. Return to erect position by pushing with hands.

## 180 DEGREE BOUNCE



1. Start with front bounce position.
2. Push off with left or right hands and arms (depending on which way you wish to turn).
3. Maintain head and shoulders in the same direction and keep back parallel to mat and head up.
4. Land in prone position and return to standing position by pushing up with hands and arms

**⚠ WARNING**

**ALWAYS START YOUR JUMP AT THE BROKEN CIRCLE. WHEN YOU LAND MORE THAN 1FT AWAY FROM THE EDGE OF THE BROKEN CIRCLE, STOP YOUR JUMP IMMEDIATELY!!**

**RESTART YOUR JUMP AT THE OF BROKEN CIRCLE.**

## LIMITED WARRANTY

Dyaco Canada Inc. warrants this unit, to the original purchaser, to be free from defects in material and workmanship for the period of time listed below. Warranty time begins at the time of purchase. Normal wear and user's abuse are not covered in the warranty. Weather damage and other such acts of nature are not covered by the Manufacturer's warranty. Commercial use and/or transfer of ownership voids the warranty.

### Trampoline

Frame	10 Years
Mat Fabric	5 Years
Mat Stitching	2 Years
Springs	1 Year
Safety Pad	1 Year

### Enclosure

Net Support poles	10 years
Metal hardware	1 year
Pole pads	6 months
Other components	90 days

For warranty service contact our Customer Service Dept.:

1-888-707-1880 (toll free)

Monday-Friday

8:30 A.M. to 5:00 P.M.

Eastern Standard Time

## LIABILITY

While every attempt is made to embody the highest degree of safety in all equipment we cannot, however, guarantee freedom from injury. The user assumes all risk of injury due to use. All merchandise is sold on this condition, that no representative of the Company can waive or change. This equipment is intended for residential use only. This equipment is not to be used in places of public assembly such as schools, nurseries, day care centre, churches and parks. Dyaco Canada Inc. cannot assume any liability for such use. Any commercial, institutional or public use of this equipment will void the warranty.